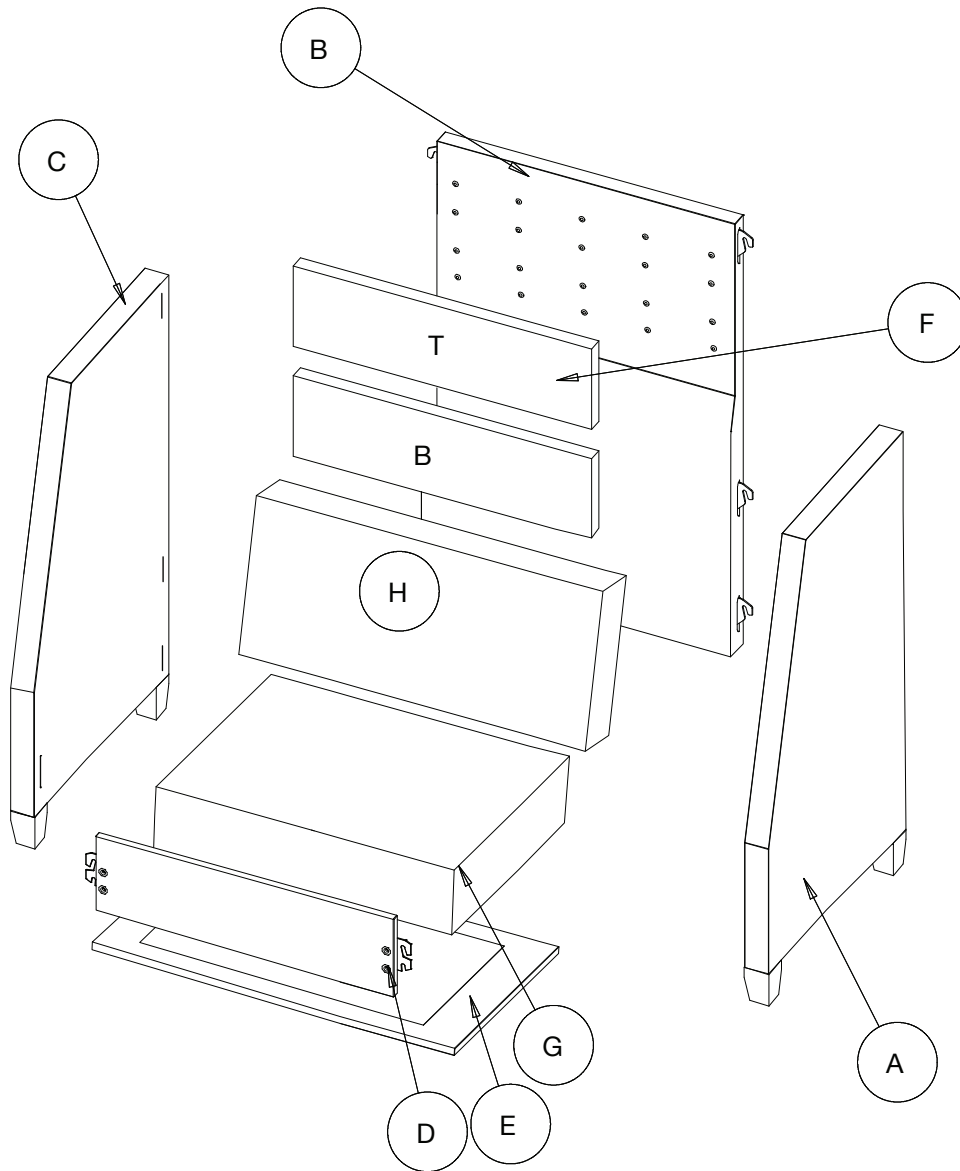


Assembly Guide for Model № 3001



No.	Qty.	Description
A	1	Left Hand Arm
B	1	Back Panel
C	1	Right Hand Arm
D	1	Front Rail
E	1	Seat Pan
F	2	T = Top Back Panel B = Bottom Back Panel
G	1	Seat Cushion
H	1	Back Cushion

Assembly Steps

- Slide Back Panel (B) hooks into Left Hand Arm (A) slot. Make sure that bracket hook drops down onto steel pins inside and lock in. Repeat step with Right Hand Arm (C).
- Slide Front Rail (D) into Left Hand Arm (A) slot. Make sure that bracket hook drops down onto steel pin. Repeat this step with Right Hand Arm (C).
- Insert Seat Pan (E) into seat area so it is resting inside chair assembly.
- Insert T and B (F) Back Tops into Back Panel (B). Make sure when you push plugs into holes that pressure is applied where plugs are located.
- Insert Seat Cushion (G) into seating area.
- Insert Back Cushion (H) into seating area.